



## Distribution Switchgear

*This information is provided in good faith to describe assets available for sale "as is, where is, without warranty." The information is believed to be accurate; however, verification of the details and determination of suitability for use are the responsibility of the buyer. Availability is subject to prior sale.*



**More equipment photographs are available on subsequent pages. To inquire about equipment pricing and specifications, please contact:**

Chris Mimes  
Asset Recovery Manager  
[chris.mimes@royomartin.com](mailto:chris.mimes@royomartin.com)  
(318) 561-6016 (office)  
(318) 446-1132 (cell)

ELECTRIC

AKD-8 Switchgear

WAFER



WARNING



T-2

# 15

INCOMING METERING



GROUND CURRENT AMMETER

4 6 8 10

0 2

10 AMPERES

PULSE

SYSTEM CONTROL NORMAL PULSE TEST

RESET CONTROL MANUAL AUTO RESET

CONTINUOUSLY RATED GROUND FAULT SYSTEM OPERATING INSTRUCTIONS

TO TRACE GROUND FAULT:

- TURN PULSE SELECTOR SWITCH TO PULSE POSITION. AMMETER WILL INDICATE CURRENT PULSES AT A RATE MATCHED BY PULSE LAMP.
- TEST FAULT PROBE CONTACT WITH CLAMP-ON AMMETER TO LOCATE CONTACT THAT INDICES THE CLAMP-ON OR IS CONNECTED TO LINE. SET INSTRUCTION MANUAL FOR INFORMATION ON FAULT LOCATING.

ONCE FAULT HAS BEEN LOCATED:

- OPEN FEEDER.
- IF RESET CONTROL IS IN MANUAL, RESET SYSTEM.
- CLEAN FAULT.
- CLOSE FEEDER.
- RETURN SYSTEM CONTROL SWITCH TO NORMAL.

TO TEST GROUND FAULT SYSTEM:

- TEST CIRCUIT WILL NOT OPERATE IF SYSTEM IS PREVIOUSLY DETECTING A GROUND FAULT.
- TURN AND HOLD SYSTEM CONTROL SELECTOR SWITCH TO TEST POSITION. AFTER TIME DELAY, CIRCUIT WILL TRANSFER TO INDICATE A FAULT, AND PULSE WILL BEGIN OPERATING.
- RETURN SYSTEM CONTROL SWITCH TO NORMAL. RESET SYSTEM. TURN RESET CONTROL TO AUTO OR MANUAL.

GROUND FAULT

NORMAL

GROUND VOLTAGE METER RELAY DEVICE 59N

00

S ▲ ▼ ACV

RESET RELAY SETPOINT ADJUSTMENT

INSTRUCTION	DISPLAY
1. PRESS 0 & UP-ARROW KEYS	YES
2. PRESS 0 KEY	0% TEST SETPOINT
3. ADJUST SETPOINT 1.0000	0% TEST SETPOINT
4. PRESS 0 KEY	0% TEST SETPOINT
5. PRESS 0 KEY	0% TEST SETPOINT
6. PRESS 0 KEY	0% TEST SETPOINT
7. PRESS 0 KEY	0% TEST SETPOINT

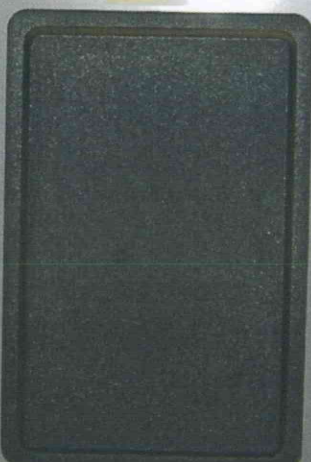
SEE METER RELAY INSTRUCTIONS PROVIDED

HIGH-IMPEDANCE GROUNDING SYSTEM RAISED

CURRENT RAISED TO: 50% GROUND CURRENT, 50% FAULT CURRENT, 50% GROUND CURRENT, 50% FAULT CURRENT

NOTED TIME: CONTINUOUS DUTY AT RAISED CURRENT

THE SYSTEM NEUTRAL CONDUCTOR SHALL NOT BE CONNECTED TO GROUND AT THE DISTRIBUTION OR AT THE SERVICE POINT OR DISTRIBUTION POINT THROUGH THE DISTRIBUTION APPARATUS.



"AS-BUILT" DRAWINGS & INSTRUCTION BOOKS INSIDE THIS SECTION

1-800-422-2000

# 63



6-800 AMP

#62



GE AFD-2

PROTECTION PROCESS

#50



ELECTRIC

AKD-8 Switchgear

T-5

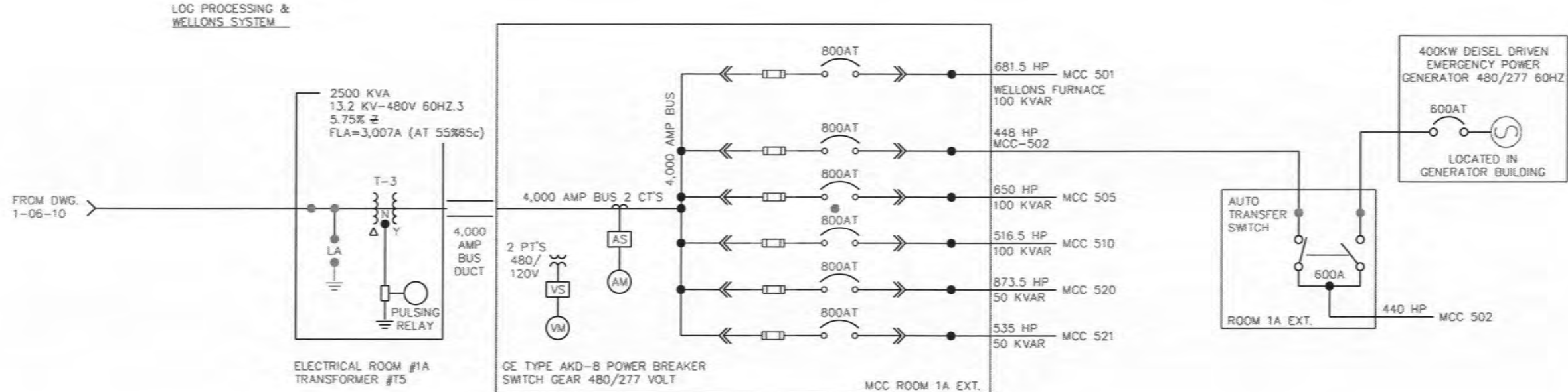
WARNING

WARNING


WARNING

WARNING

HIGH VOLTAGE  
KEEP OUT



AS BUILT

PLANT NAME: <b>MARTCO PARTNERSHIP CHOPIN, LOUISIANA</b>		TITLE: O.S.B. PLANT ONE-LINE DISTRIBUTION	
		REV. 1	DRAWING NO. 1-06-11
		DWN BY: P.J.D. CKD BY: B.J.M.	
REVISED AS BUILT 9/15/10 REVISED FOR AS BUILTS REVISED AS INDICATED		REVISION DESCRIPTION DATE DWN: 04-07-93 DATE CKD: 04-24-01	CAD FILENAME: 1-06-11.0.DWG