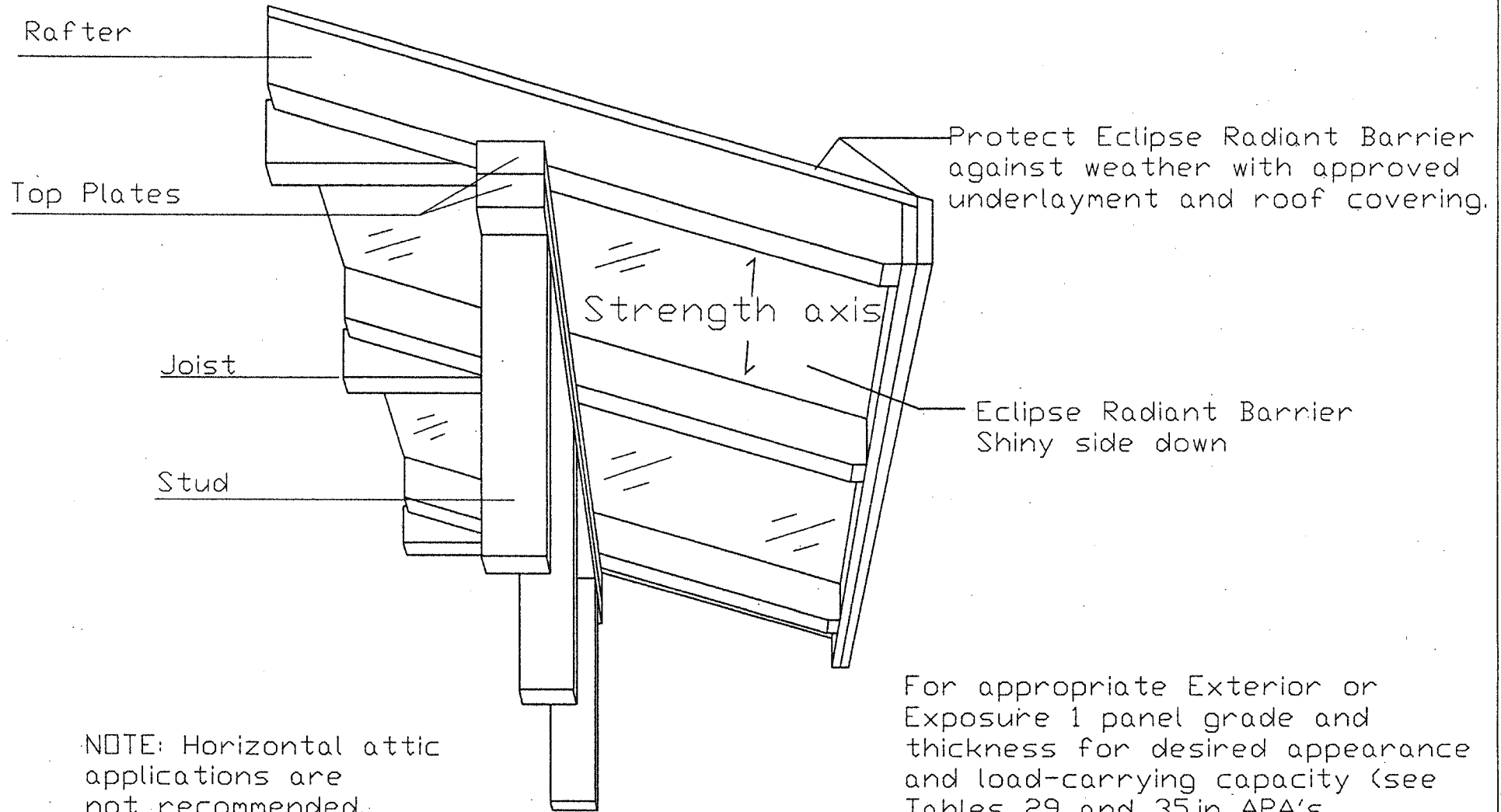


# ECLIPSE ATTIC RADIANT BARRIER



For appropriate Exterior or Exposure 1 panel grade and thickness for desired appearance and load-carrying capacity (see Tables 29 and 35 in APA's Engineered Wood Construction Guide, Form E30.)

See Tuff-Strand installation and handling instructions